

Visit flash receiver

BE1441/BE1442



 Bellman & Symfon®



Features

Bright flashes
30 Candela Xenon lights

Clear signal identification
Through coloured LED lights

Rotating top
Easy to direct the flashlight

Multiple connections
Outlet for phone and bed shaker

Battery backup (BE1442)
Works during power loss

Completely silent alerting.

The flash receiver from Bellman & Symfon is part of the Visit smart home system that helps you to keep tabs on your home. It alerts you with bright flashes when the doorbell or telephone rings, when your baby needs you or if a fire should occur.

Powerful and portable

The flash receiver is very easy to set up and use. Just connect it to the mains and place it on a table or shelf. You can also mount it on the wall using a wall bracket accessory.

The flash receiver produces bright flashes that are noticeable even in large areas and uses colored lights to differentiate the Visit signals. In addition, the rotating top makes it easy to direct the light.

The flash receiver features separate outlets for landline- and mobile telephones. Additionally, you can connect a bed shaker and wake up to vibrations if something should happen while you are asleep. The BE1442 model is also equipped with a battery backup.



Technical specifications

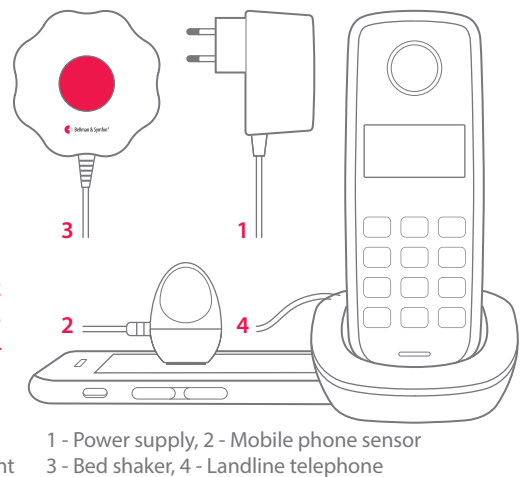
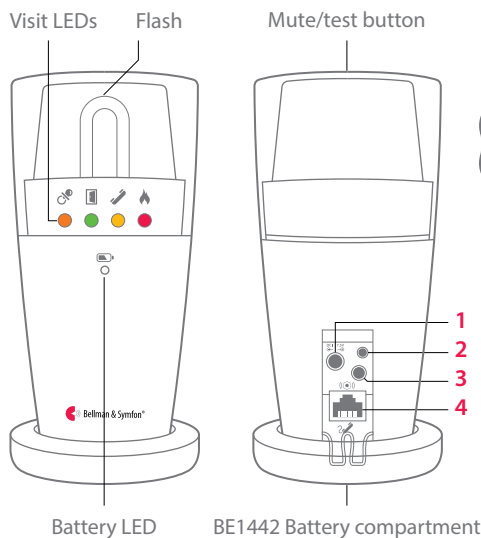


Dimensions and weight

Height	BE1441: 140 mm, 5.5" BE1442: 155 mm, 6.1"
Diameter	BE1441: 70 mm, 2.7" BE1442: 78 mm, 3.1"
Weight	308 g, 10.8 oz.



Buttons and controls



Features

- Models
BE1441 and BE1442 that includes battery backup
- Alerting signal
Built-in flash light ~30 Candela Xenon light
Warning! Flashes can cause epileptic attacks.
- Activation
 - Via the Visit transmitters
 - Via the analogue telephone network
 - Via mobile phones/tablets (BE9250 required)

Frequency and coverage

- Radio frequency: 315 MHz, 433.92 MHz or 868.3 MHz, depending on the region
- Coverage: 50 – 250 m, depending on the radio frequency and building's characteristics

Power and battery

- Mains power
7.5 V DC / 1500 mA with power supply unit
- Power consumption
Active: 750 mA, idle position: 8 mA
- Backup batteries (BE1442 only)
4 x 1.2 V AAA (HR03) NiMH rechargeable batteries
Operation time: ~48 h when fully charged

Accessories

- BE9075 Wall bracket
- BE1270 Bed shaker
- BE9250 Mobile phone sensor
- BE9105 Telephone cable

Environmental requirements

- Operating temperature: 32° to 95° F (0° to 35° C)
- Relative humidity: 15% to 90% (non condensing)

Visit indicators

The Visit LEDs normally indicates the following:

- Orange LED, pacifier symbol
The baby monitor is activated
- Green LED, door symbol
The door transmitter is activated
- Yellow LED, telephone symbol
The telephone transmitter is activated
- Red LED, fire symbol
The smoke alarm is activated
- Orange and Red LEDs blink alternately
The CO alarm is activated

In the box

- BE1441/BE1442 Flash receiver + power adapter
- 4 x 1.2 V AAA NiMH batteries (BE1442 only)

© 2022 Bellman & Symfon AB. All rights reserved.

Bellman, Bellman & Symfon and the Bellman & Symfon logo are registered trademarks of Bellman & Symfon AB. This leaflet is subject to change without prior notice.

BE1441_186DSH1.0-BE1441-BE1442-EN

bellman.com