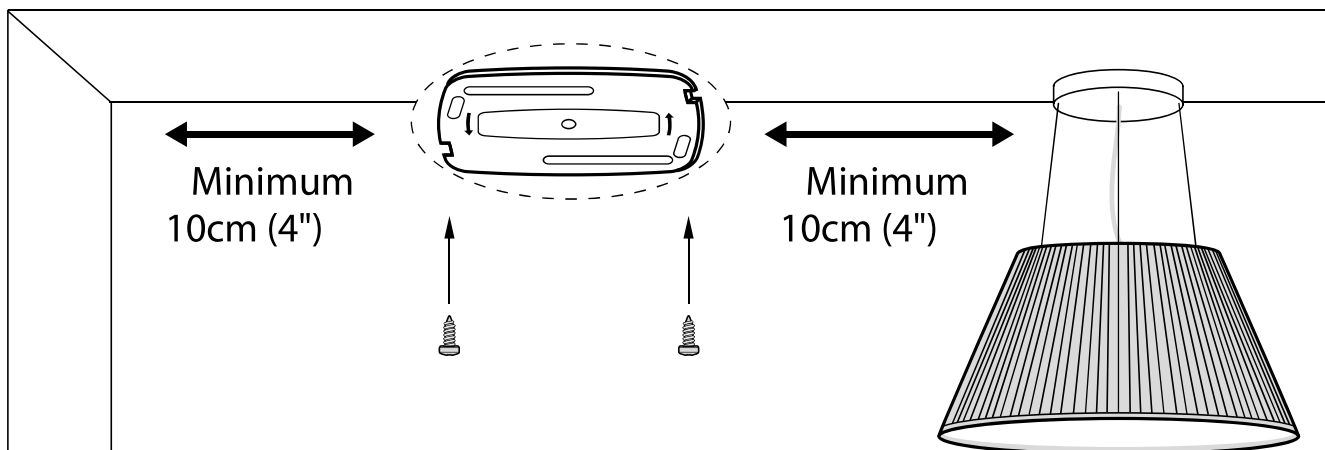


Quick start guide

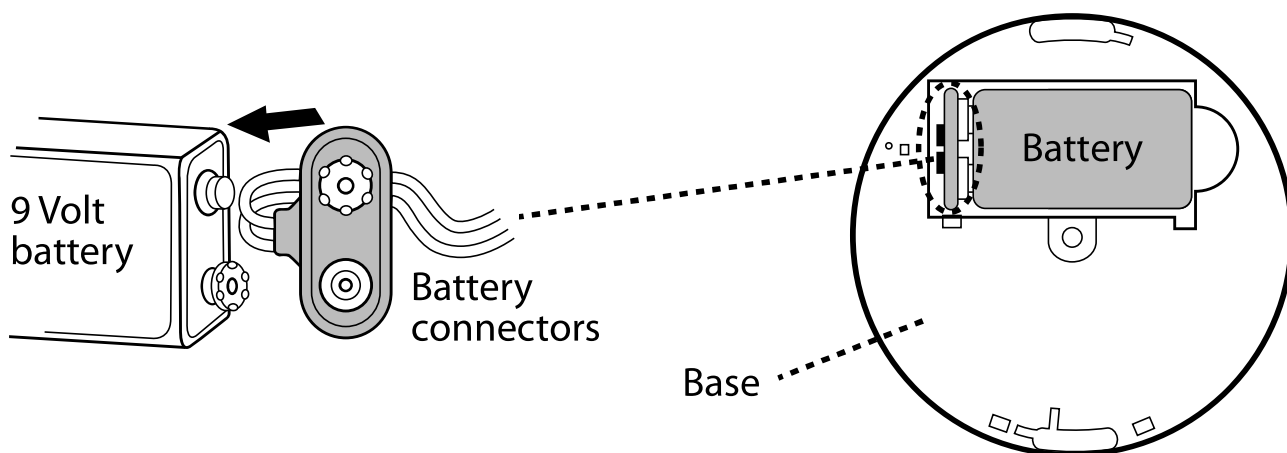
1 Mount the mounting plate

Twist the mounting bracket anti-clockwise from the smoke alarm and take off baseplate. Fix the mounting bracket to the ceiling using a screwdriver. The smoke alarm should be mounted at least 10cm (4") from walls and obstruction, ideally centrally in the room/area.



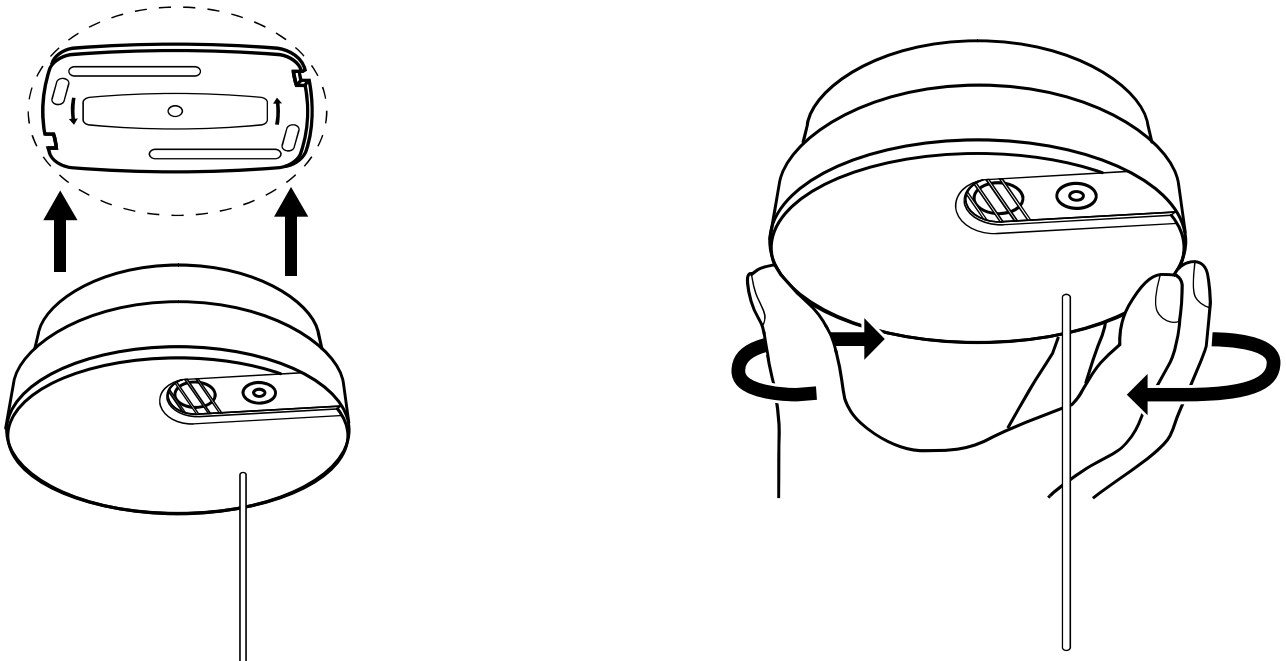
2 Connect the battery

Connect the battery to battery snaps to power the smoke alarm unit. Only use battery as listed here: Duracell #MN1604, Gold Peak1604A, Energizer#522, Ultralife U9VL-J-P.



3 Attach the unit

Place the smoke alarm unit on top of the baseplate and twist it clockwise to attach it. Extend the antenna so that it points down.



EN

4 Test the alarm

A Press and hold the smoke alarm test button. The smoke alarm will alarm and blink continuously until the button released.

B The Visit receiver lights up a fire symbol in red and alerts with sound, flash or vibration depending on which model of the Visit receivers you use.

Please note: The smoke alarm will stop sounding shortly after the button is released and the Visit receiver will time out within ~ 40s.

