



Technical information

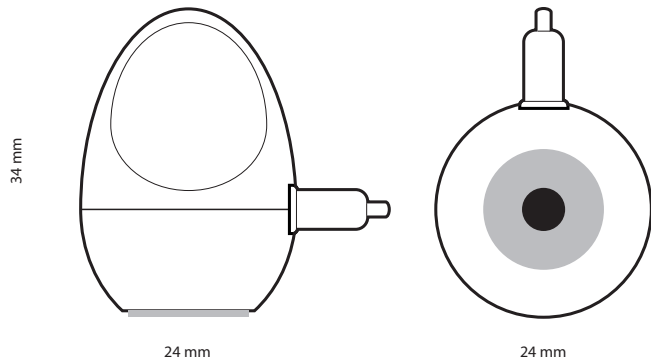
GB Appendix

Optical detection	Activated when the display lights up
Light sensitivity	Visible light >3 lux, for longer than 2 seconds
Placement	Horizontally on the display
Ergonomic design	Ideal for people with impaired vision/dexterity
Battery	1 x AAA 1.5 V alkaline
Operating time	> 1 years under normal use
Connectors	Sensor: 2.5 mm teleplug, adapter: 3.5mm tele teleplug
Visit compatible	Integrates mobile devices with the Visit system

 **Bellman & Symfon®**
DESIGN FOR EARS

Mobile phone sensor BE9250

Patent pending



European office
Bellman & Symfon Europe AB
Södra Långbergsgatan 30
421 32 Västra Frölunda
Sweden
Phone +46 31 68 28 20
Fax +46 31 68 28 90
E-mail info@bellman.se

Asia Pacific office
Bellman & Symfon Asia Ltd.
115-16, Main Tower, GD Int'l Hotel
339 Huanshi Dong Rd
Guangzhou, China, 510095
Sweden
Phone +86 20 8318 2950
Fax +86 20 8333 5528
E-mail info.cn@bellman.com

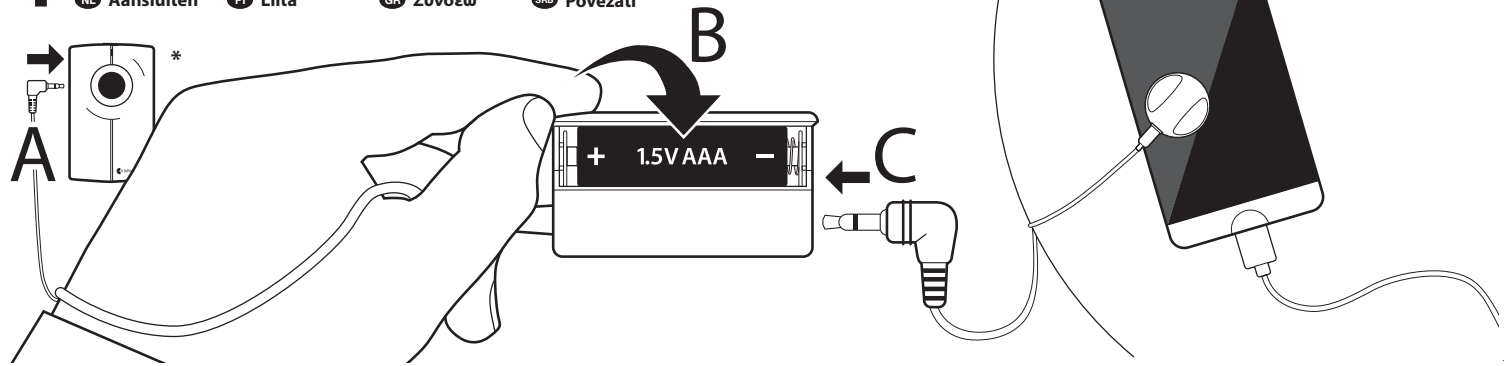
bellman.com

BE9250_017MAN005



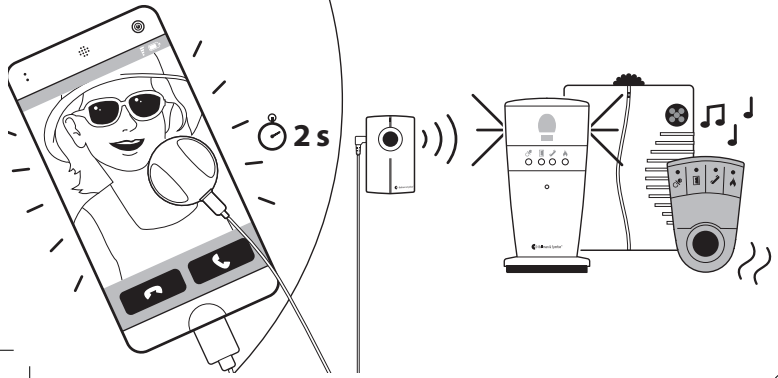
1

- GB Connect
- DE Anschliessen
- FR Connectez
- NL Aansluiten
- SE Anslut
- NO Tilkobling
- DK Tilslutning
- FI Liitä
- ES Conectar
- IT Collegare
- PT Ligar
- GR Συνδέω
- PL Podłączyć
- CZ Připojit
- HU Telepítés
- SRB Povezati



2

- GB Test
- DE Testen
- FR Tester
- NL Test
- SE Testa
- NO Testing
- LK Test
- FI Testaus
- ES Probar
- IT Provar
- PT Testar
- GR Έλεγχος
- PL Testowanie
- CZ Test
- HU Tesztelés
- SRB Provera



Troubleshooting

GB Appendix

If	Try this
The receiver is not activated when there is an incoming call or message	<ul style="list-style-type: none"> • Make sure that the sensor is placed on the screen of your device and that the screen lights up. • Check the battery in the battery pack. Change it if needed. You can test the batteries by tilting the Mobile phone sensor. If the battery is charged, the LED on the transmitter lights up.
Note! Light lasting less than 2 seconds will not activate the system.	<ul style="list-style-type: none"> • Ensure that all cables are properly connected. • Check the radio link by pressing the Test-button on the transmitter.
The receiver is activated randomly	<ul style="list-style-type: none"> • Make sure that the sensor is standing upright on a flat and non-transparent surface

* Visit transmitter sold separately.