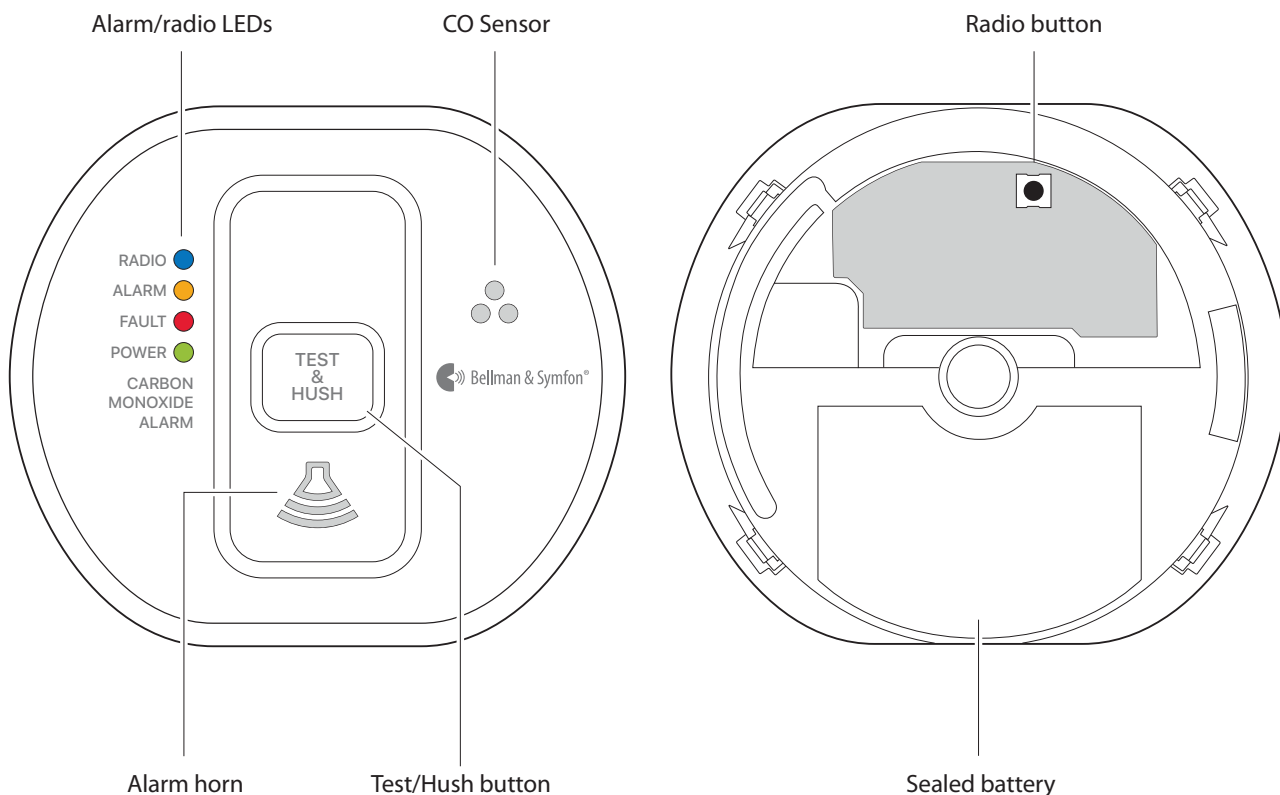




BE1555

Visit CO alarm – electrochemical

Buttons and controls



Technical specifications

Size and weight

- Height: 105 mm
- Width: 120 mm
- Depth: 40 mm
- Weight: 185 g incl. battery

Power and battery

- Battery: Built-in powered for life non-replaceable lithium battery
- Battery life: 10 years. Matches the product lifetime.

Regulatory

- Meets BS EN 50291-1:2010 and A1:2012 / BS EN 50291-2:2010

In the box

- BE1555 Visit CO alarm
- Screws and plugs
- User manual

Activation

- Via the Test/Hush button
- By carbon monoxide

Frequency and coverage

- Radio frequency : 868.30 MHz
- Coverage: Up to 200 m (218 yd.), clear line of sight. It depends on the building's characteristics and radio conditions.

Environment

- For indoor use only
Operating temperature -10° to 40° C
- Humidity range
15% to 95% R.H. (non-condensing)

CO alarm response

- BE1555 is calibrated to respond to the following levels of carbon monoxide:

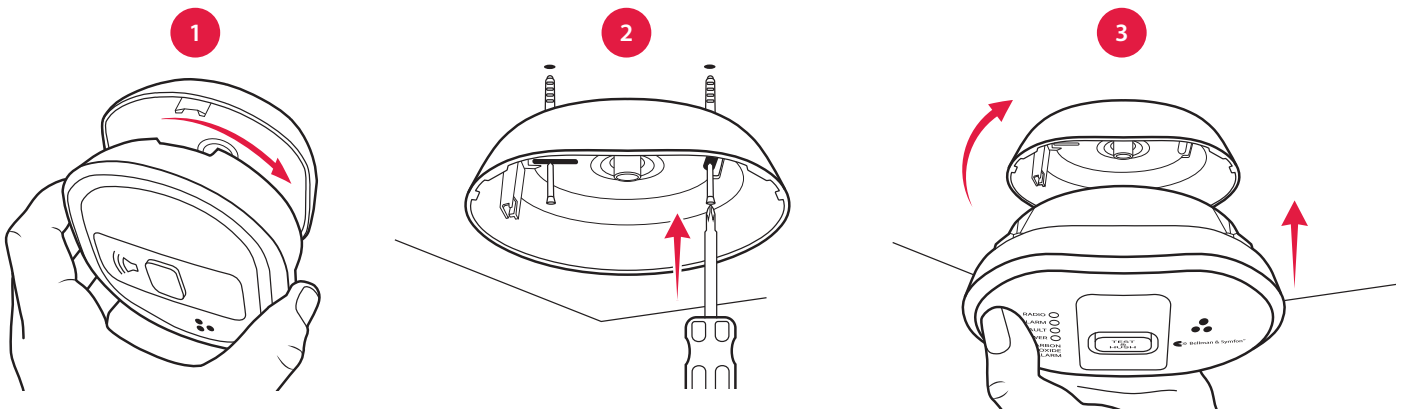
CO level/fault Alarm sound

> 43 ppm	On within 60 – 90 min.
> 80 ppm	On within 10 – 40 min.
>150 ppm	On within 2 minutes
Low battery	1 beep every minute
Faulty unit	2 beeps every minute
End of life	3 beeps every minute

Visit CO alarm – electrochemical

Installing the CO alarm

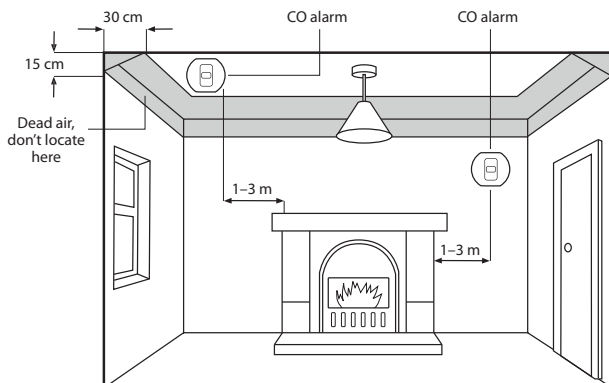
- 1 Remove the mounting bracket from the CO alarm by turning it counter-clockwise.
- 2 Taking care to avoid any electrical wiring, fix the mounting bracket to the ceiling or wall using the supplied screws and plugs, see **Location and positioning** below.
- 3 Fit the alarm to the bracket by turning it clockwise until it snaps into place. The red, yellow and green LEDs blink in sequence to show that the unit is on.



Location and positioning

Install the CO alarms in every bedroom, in every room containing a fuel burning appliance and in remote rooms where occupants spend a considerable amount of time. Fit the alarms in the center of the ceiling inside every bedroom, at least 30 cm (11.8") from any wall or light fitting.

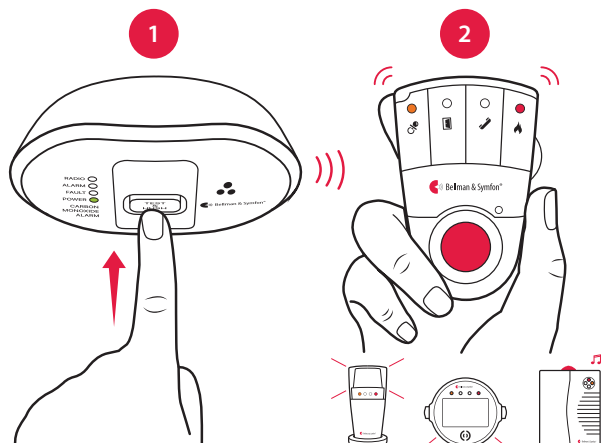
Avoid kitchens, fireplaces or garages, as cooking fumes and car exhaust may cause false alarms. The CO alarm should not be installed in damp spaces, close to fans, etc. or in agricultural buildings.



Testing the connection

- 1 Wait 15 s. Press the test/hush button and release it when the alarm sounds. The CO alarm transmits a radio signal to the receiver.
- 2 The orange and red LEDs on the Visit receiver blink alternately to show that the signal was received. In addition, it starts to sound, flash or vibrate depending on the receiver.

Note: The alarm will stop sounding after the button is released and the Visit receiver will time out in less than a minute.



Visit CO alarm – electrochemical

Signal pattern

When the alarm detects over 43 ppm CO, the red LED blinks in accordance with the table. This helps locate CO leaks as the alarm gives an indication straight away. This pre-alarm signal may be triggered by CO coming from e.g. cooking with gas, car engines or nearby barbecues. This is usually not a concern, unless the pre-alarm signal persists until the alarm sounds and the CO source is unknown. **Note:** The alarm may sound if cigarette smoke is blown into it, or aerosols are released nearby. Depending on the cause of the alarm, the signal patterns are as follows:

CO level / fault	Alarm LED	Alarm sound	Visit receiver
▪ > 43 ppm	1 red blink every 2 s	On within 60 - 90 min	Alarm within 60 - 90 min
▪ > 80 ppm	2 red blinks every 2 s	On within 10 - 40 min	Alarm within 10 - 40 min
▪ >150 ppm	4 red blinks every 2 s	On within 2 min	Alarm within 2 min
▪ Low battery	1 yellow blink / min	1 beep / min	Blinking red LED
▪ Faulty unit	2 yellow blinks / min	2 beeps / min	Blinking red LED
▪ End of Life	3 yellow blinks / min	3 beeps / min	Blinking red LED

Note: When the low battery warning occurs for the first time, you have at least 30 days to replace the unit. You can press the test/hush button to temporarily hush the low battery warning for 24 hours.

Using broadcast

If you want the smoke alarm signal to be transmitted to *all* Visit receivers within radio range, you can activate broadcast mode. This will override the radio key settings.

- To activate broadcast, remove the CO alarm from the bracket to access the radio button, see **Buttons and controls**. Press the radio button three times in quick succession. The radio LED blinks three times in blue to show that broadcast is activated.

Silencing (Hush)

- When the alarm sounds, after sensing CO, pressing the test/hush button will immediately stop the horn (the red LED will continue to blink). If CO is still present, the horn will turn on again after about 4 minutes. The CO alarm can only be silenced once during a CO incident. At levels > 150ppm CO the unit cannot be silenced.

Test and maintenance

Test the CO alarm and radio connection regularly, at least once per month. Always test it immediately after any holidays or other extended periods of absence. Clean the outside case with a clean damp cloth. Avoid spraying air fresheners, hair spray, paint or other aerosols near the CO alarm. Do not place air fresheners near the CO alarm. Do not paint over the CO alarm.

Troubleshooting

If	Try this
The CO alarm beeps for no apparent reason.	<ul style="list-style-type: none">▪ Follow the detailed instructions in What to do when the alarm sounds section in the BE1555 User manual.
The Visit receiver is triggered for no apparent reason.	<ul style="list-style-type: none">▪ There is probably another Visit system nearby that triggers yours. Change the radio key on all units, see Changing the radio key.
Nothing happens when I press the CO alarm test/hush button.	<ul style="list-style-type: none">▪ Check that the unit is secured correctly on the mounting plate. Wait 15 s before testing again by pushing the test/hush button.▪ Check the age of the alarm, see the “replace by” label on the unit.
The CO alarm beeps when I press the test/hush button, but the Visit receiver is not responding.	<ul style="list-style-type: none">▪ Check the Visit receiver batteries and connections.▪ Move the receiver closer to the CO alarm to make sure it's within radio range.▪ Check that the units are set to the same radio key, see Changing the radio key.

Visit CO alarm – electrochemical

Changing the radio key

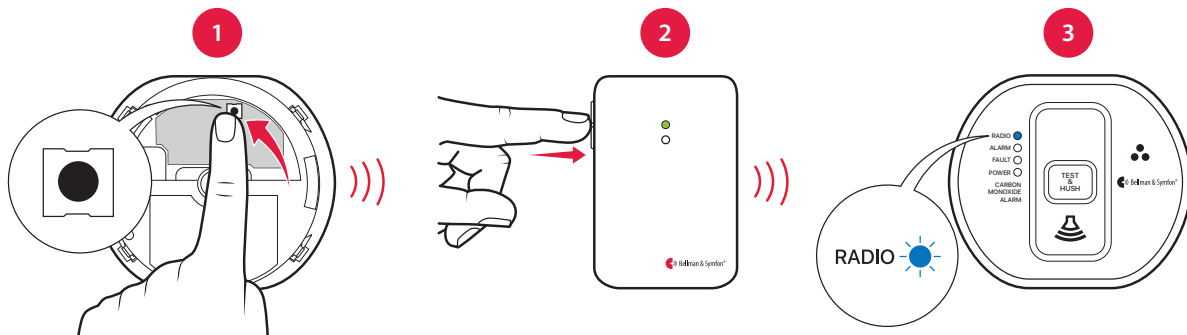
If your Visit system is activated for no reason, there is probably a nearby system that triggers yours. In order to avoid radio interference, you need to change the radio key on all units. The procedure differs depending on your system setup.

Systems with *different types of transmitters*

Start by changing the radio key on all *other* transmitters in the system by moving any of the radio key switches, see the corresponding user manual. **Note:** All transmitters must be set to the same radio key to operate as a group.

Step 1: Change the radio key on the BE1555 CO alarm

- 1 Remove the alarm from the bracket to access the radio button, see **Buttons and controls**. Press and hold the radio button until the radio LED blinks slowly in blue. Release the button.
- 2 Press the test button on any *other* transmitter within 30 s to transmit the new radio key.
- 3 The radio LED on the alarm lights up in blue to show that the radio key has been changed.



Systems with *only BE1555 CO alarms*

Step 1: Change the radio key on the BE1555 CO alarms

Select one of the BE1555 CO alarms that will function as the *master* unit. The other alarms will function as slave units. Remove the CO alarms from the brackets to access the radio button.

- 1 Press and hold the radio button on the *master* unit until the radio LED blinks slowly in blue. Press and hold the button again to generate a new radio key. The radio LED will pulsate to confirm.
- 2 Press and hold the radio button on the *slave* unit until the radio LED blinks slowly in blue.
- 3 Press the test/hush button on the *master* unit and release it when the alarm sounds to transmit the new radio key.
- 4 The radio LED on the *slave* unit lights up in blue to show that the radio key has been changed. Repeat steps 2 - 4 to change the radio key on an additional BE1555 CO alarm.

Step 2: Change the radio key on the Visit receiver

- 1 Press and hold the test button on the receiver until the green and yellow Visit LEDs blink alternately. Release the button.
- 2 Within 30 s, press the test/hush button and release it when the alarm sounds to transmit the new radio key.
- 3 All Visit LEDs on the receiver blink 5 times to show that the radio key has been changed.

