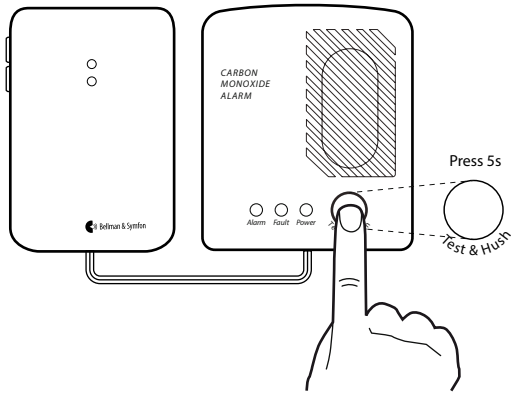


Weekly test

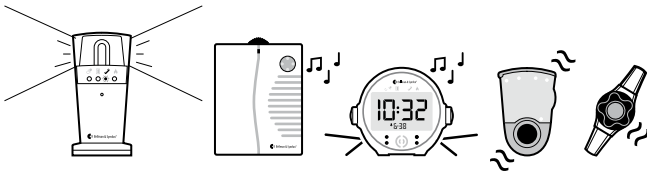
For maintenance please refer to the CO detector user guide.



The receiver reacts with sound, flashes and/or vibrations.

The signal pattern is as follows:

LED pattern	Sound	Vibration	Flash
Red + Orange LED blink alternately	Constant	Long	Yes

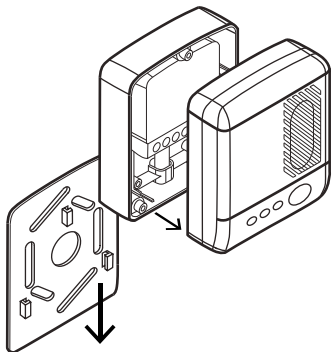


© and ™ 2016 Bellman & Symfon AB. All rights reserved. The Bellman & Symfon logo and Bellman are registered trademarks of Bellman & Symfon AB.

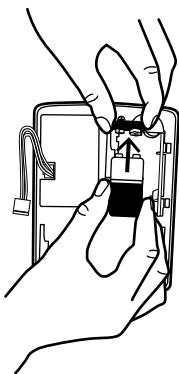
BE1411-868-CO_002MAN001



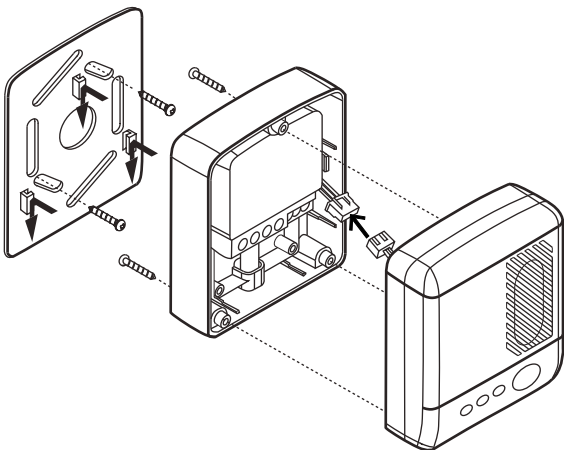
1. Disassemble the CO detector



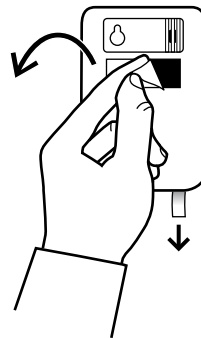
2. Insert the battery



3. Reassemble and mount the CO detector on the wall



4. Remove the battery pull tab and the protective film



i **Low battery indication**

BE1411 Door transmitter:
The status LED blinks in orange once per minute.

CN1231 CO detector:
The yellow Fault LED blinks and the detector beeps once per minute.

5. Mount the transmitter next to the CO detector

