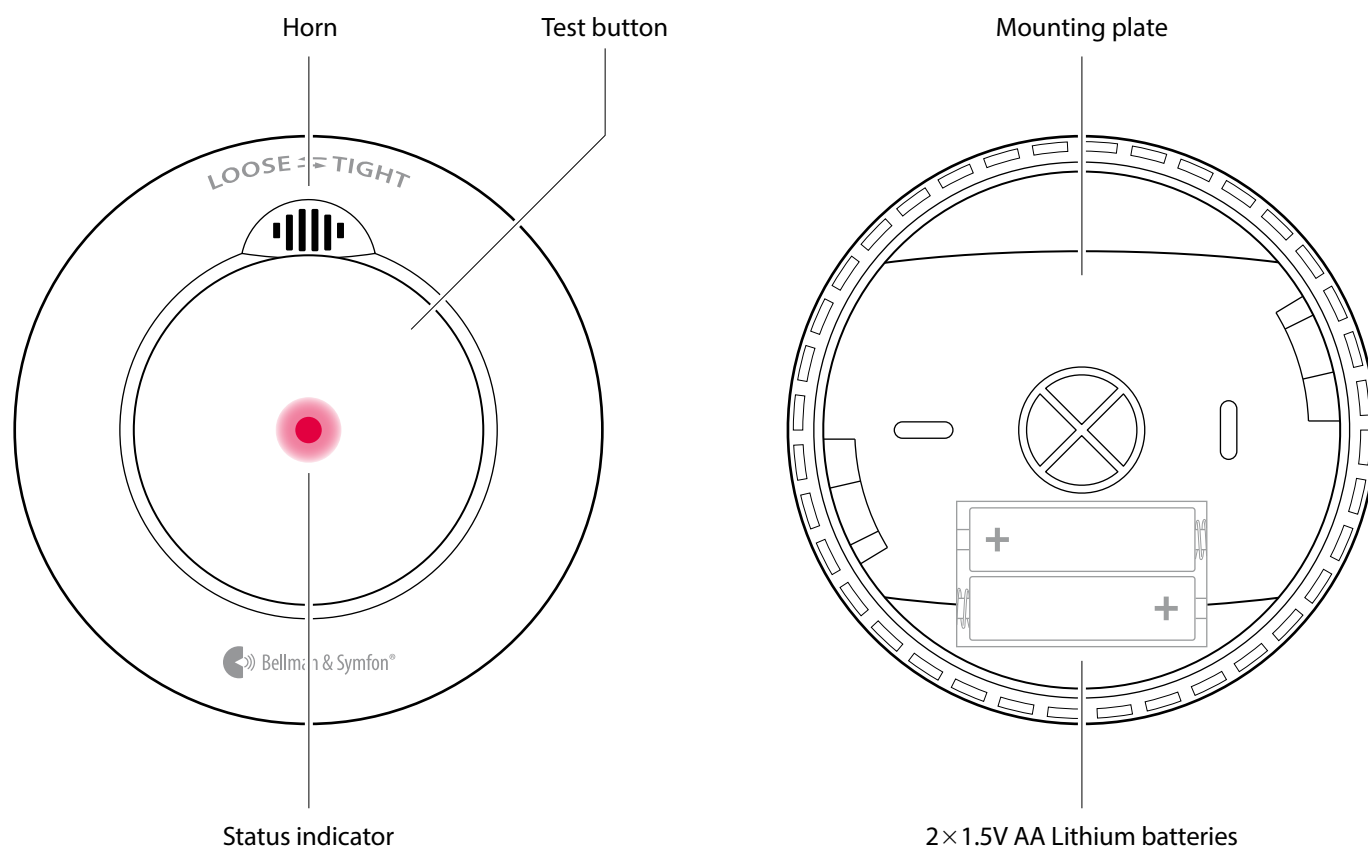


Visit smoke alarm – optothermal

Buttons and controls



Technical specifications

In the box

- BE1481 Visit smoke alarm
- 2 × 1.5V AA Lithium batteries
- 2 × Screws and plugs
- Mounting plate
- User manual

Power and battery

- Battery type
2 × 1.5V AA Energizer Lithium L91
- Power consumption
Active < 75 mA
Idle < 15 μA
- Operation time
Minimum 5 years

Size and weight

- Diameter: 120 mm, 4.2"
- Depth: 37 mm, 1.3"
- Weight: 165 g, 5.8 oz. incl. batteries

Sensor type

- Optical smoke and thermal detection
Min 85 dB(A) @ 3m, Frequency: 3.2 kHz

Activation

- Via the test button
- Via the smoke detector
Smoke sensitivity: 0.115 – 0.168 dB/m
- Via the thermal sensor
Heat sensitivity: 54° to 70 °C,
129° to 158° F

Frequency and coverage

- Radio frequency
868.3 MHz
- Coverage: Up to 200 m (218 yd.)
clear line of sight. The range is
reduced by walls, large objects and
other radio transmitters such as
televisions and mobile phones.

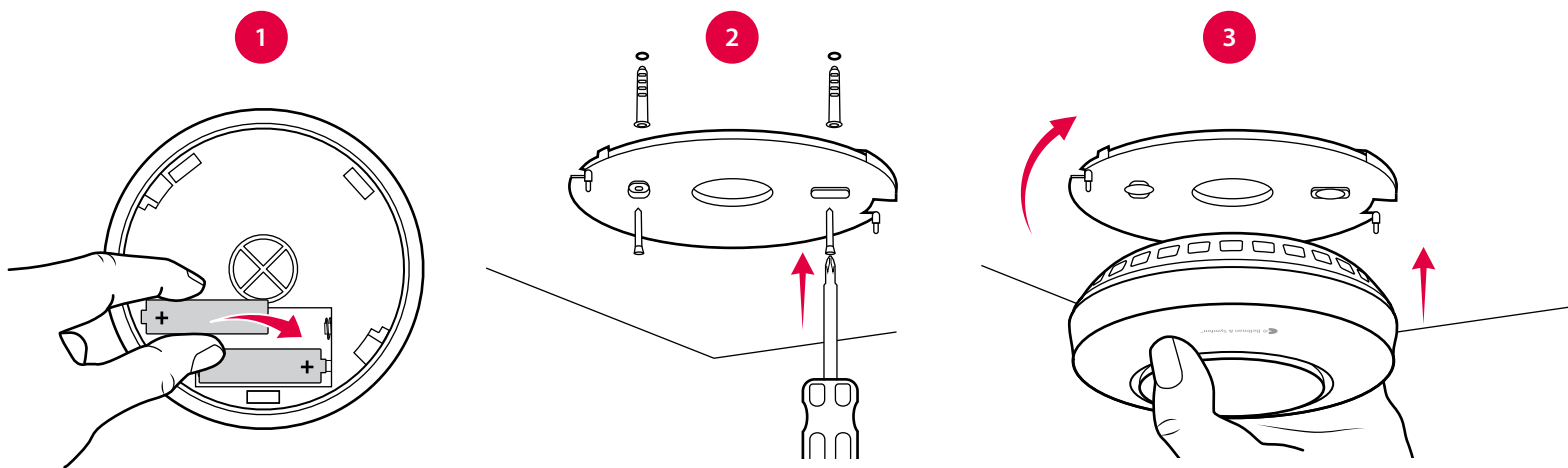
Environment

- For indoor use only
- Operating temperature
4° to 40° C, 39° to 104° F
- Relative humidity
15% to 95% R.H.,
non-condensing

Visit smoke alarm – optothermal

Installing the smoke alarm

- 1 Remove the mounting bracket from the smoke alarm by turning it counter-clockwise and insert the supplied batteries to start the unit.
- 2 Fix the mounting bracket to the ceiling using the supplied screws and plugs. Make sure it's located at least 50 cm, (20") from walls and other obstructions, see **Location and positioning**. For alternative mounting options see p 36.
- 3 Fit the smoke alarm to the bracket by turning it clockwise until it snaps into place.



Location and positioning

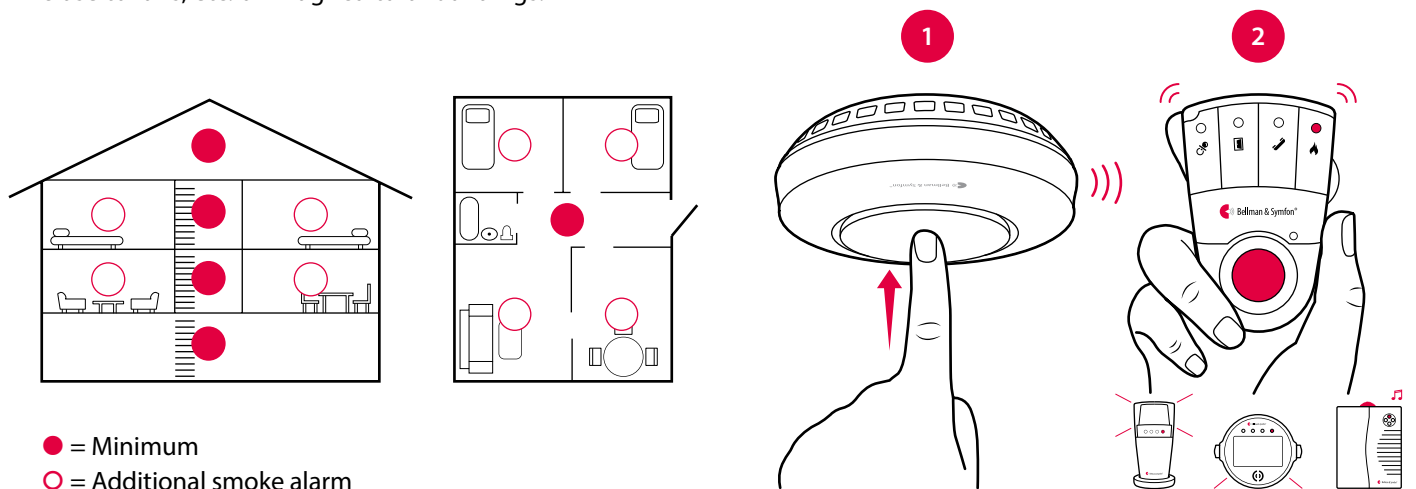
Fit the smoke alarms in the center of the ceiling outside the bedrooms, at least 50 cm, (20") from any wall. If the bedrooms are in different areas of the house, separate smoke alarms are recommended. In multi-storey properties, install at least one smoke alarm on each floor.

Avoid kitchens, fireplaces or garages, as cooking fumes and car exhaust may cause false alarms. The smoke alarm should not be installed in damp spaces, close to fans, etc. or in agricultural buildings.

Testing the connection

- 1 Press and hold the smoke alarm test button until the alarm sounds and the status indicator starts to blink. The smoke alarm transmits a radio signal to the receiver.
- 2 The red Visit LED on the receiver lights up to show that the signal was received. In addition, it starts to sound, flash or vibrate depending on the receiver.

Note: The smoke alarm will stop sounding shortly after the button is released and the receiver will time out within 1 min.



- = Minimum
- = Additional smoke alarm

Visit smoke alarm – optothermal

Signal pattern

The smoke alarm status indicator blinks in red once every 50 s to show that it is working correctly. Depending on the cause of the alarm, the signal patterns are as follows:

Smoke alarm

Receiver signal pattern

Cause	Status LED	Sound	Visit LED	Sound	Vibration	Flash
■ Smoke	Blinking in red	■ ■ ■ □	Blinking in red	Fire alarm	Long	Yes
■ Heat	Blinking in red	■ ■ ■ ■ ■ ■	Blinking in red	Fire alarm	Long	Yes
■ Low battery	1 blink / 50 s	1 chirp / 50 s	Blinking in red	–	–	–
■ Faulty unit	1 blink / 50 s	1 chirp / 50 s	–	–	–	–

Using broadcast

If you want the smoke alarm signal to be transmitted to *all* Visit receivers within radio range, you can activate broadcast mode. This will override the radio key settings.

To activate broadcast

- Press the test button three times in quick succession. The smoke alarm chirps and blinks three times to confirm that broadcast is activated. Please note that low battery warnings will only be transmitted to receivers with the same radio key.

Note: In broadcast mode, the alarm cannot be activated with the test button. Use smoke detector aerosol spray.

To deactivate broadcast

- Press the smoke alarm test button three times in quick succession. The smoke alarm emits a steady sound and light for 2 seconds to confirm that broadcast is deactivated. The smoke alarm has now returned to the latest stored radio key.

Silence function

Using the silence function

- In case of a nuisance alarm, press and hold the test button for 2 s to silence it temporarily. The status indicator blinks in red every 16 s to confirm. For safety reasons, the silence mode stops automatically after 10 minutes.

Test and maintenance

Test the smoke alarm and radio connection regularly, preferably each week, e.g. during cleaning, but at least once per month. Always test it immediately after any holidays or other extended periods of absence. Clean it with a damp cloth. After changing battery, vacuum clean with a soft brush. Do not paint over the smoke alarm.

If	Try this
Nothing happens when I press the smoke alarm test button	<ul style="list-style-type: none"> ■ Check that the batteries are inserted correctly. ■ Replace the smoke alarm batteries. Only use AA Energizer lithium L91 batteries. ■ Check the age of the unit, see the “Replace by” label on the unit.
The smoke alarm beeps when I press the test button, but the Visit receiver is not responding	<ul style="list-style-type: none"> ■ Check the smoke alarm batteries and the Visit receiver batteries and connections. ■ Move the Visit receiver closer to the smoke alarm to make sure it’s within radio range. ■ Check that the units are set to the same radio key, see Changing the radio key.
The Visit receiver is activated for no apparent reason	<ul style="list-style-type: none"> ■ Check if smoke or steam from the kitchen or bathroom causes the false alarm. ■ Check if the Visit LED signals for low battery. If so, change the smoke alarm batteries. ■ If the problem persists, there is probably another Visit system nearby that triggers yours. Change the radio key on all units, see Changing the radio key. ■ Check if there is another system nearby on broadcast mode.
The smoke alarm beeps for no reason	<ul style="list-style-type: none"> ■ Remove contamination from cobwebs or dust. If the problem persists, replace the unit.

Visit smoke alarm – optothermal

Changing the radio key

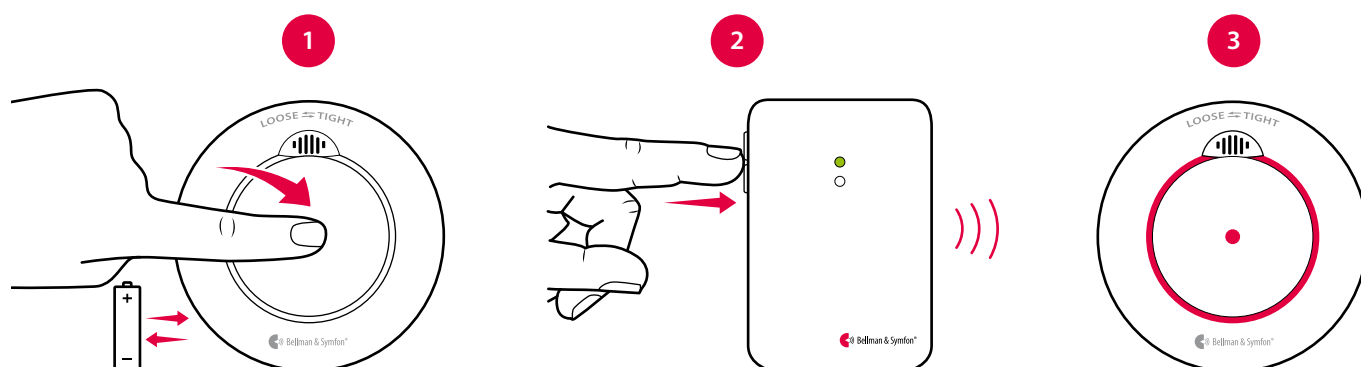
If your Visit system is activated for no reason, there is probably a nearby system that triggers yours. In order to avoid radio interference, you need to change the radio key on all units. The procedure differs depending on your system setup.

Systems with *different* types of transmitters

Start by changing the radio key on all *other* transmitters in the system by moving any of the radio key switches, see the corresponding user manual. **Note:** All transmitters must be set to the same radio key to operate as a group.

Step 1: Change the radio key on the BE1481 Smoke alarm

- 1 Remove one of the batteries to turn off the smoke alarm and wait at least 30 s. Press and hold the test button as you insert the battery again. Continue pressing the test button until the status indicator starts to flash. Now, release the button. The status indicator will flash rapidly to show that the smoke alarm is ready to receive the new radio key.
- 2 Press the test button on any *other* transmitter within 25 s to transmit the new radio key.
- 3 The smoke alarm status indicator emits a steady light to show that the radio key has been received. Press the test button on the smoke alarm to save the new radio key and exit the programming mode.



Step 2: Change the radio key on the Visit receiver

- 1 Press and hold the test button on the receiver until the green and yellow Visit LEDs blink alternately. Release the button.
- 2 Press the test button on any transmitter within 25 s to transmit the new radio key.
- 3 All Visit LEDs on the receiver blink 5 times to show that the radio key has been changed.



Visit smoke alarm – optothermal

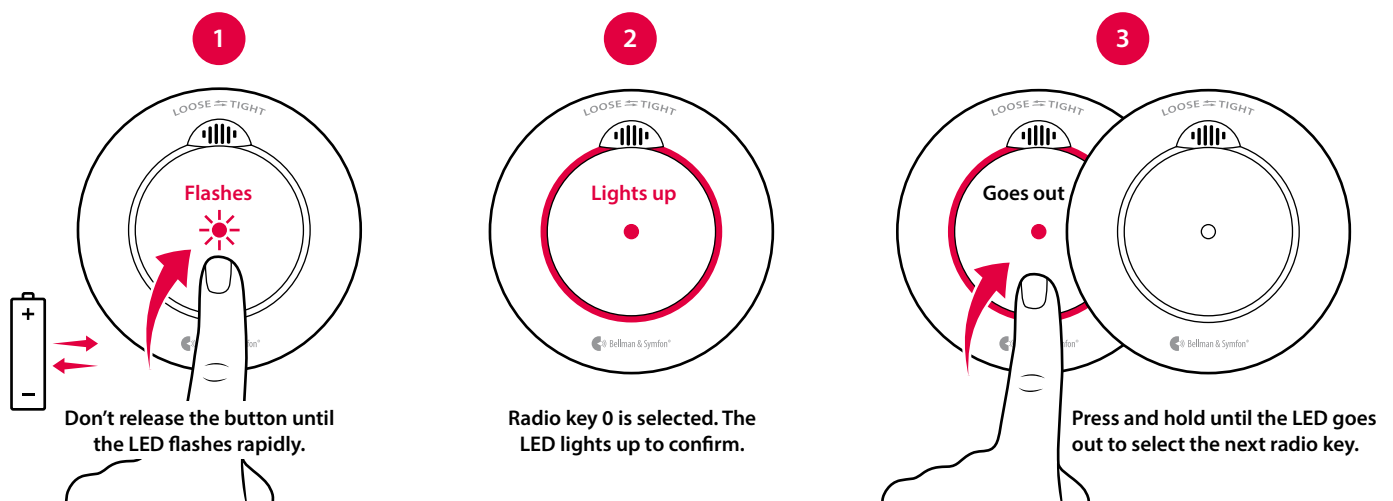
Changing the radio key

Systems with *only* BE1481 Smoke alarm

Step 1: Change the radio key on the BE1481 Smoke alarm

- 1 Remove one of the batteries to turn off the smoke alarm and wait at least 30 s. Press and hold the test button as you insert the battery again and continue holding it until the status LED goes from slow to rapid flashes. Release the button to enter the programming mode.
- 2 The smoke alarm is reset to the default radio key 0 and the status LED lights up to confirm.
- 3 **Within 4 s**, press and hold the test button until the LED goes out to select the next radio key. Radio key 1 is now selected and the status LED lights up to confirm. Follow this procedure to advance to the next radio key. There are 9 radio keys available. If you continue beyond radio key 9, the unit will reset to radio key 0.
- 4 After 4 s, the smoke alarm automatically exits the programming mode and the LED goes out to confirm.

Note: Follow the steps above to change the radio key on all BE1481 smoke alarms in your Visit system.



Step 2: Change the radio key on the Visit receiver

- 1 Press and hold the test button on the receiver until the green and yellow Visit LEDs blink alternately. Release the button.
- 2 Press the test button on any transmitter within 25 s to transmit the new radio key.
- 3 All Visit LEDs on the receiver blink 5 times to show that the radio key has been changed.

